



MODULAR

REMOTE CONDENSER w/ COMPRESSOR & CONTROL ENCLOSURE UNIT

PARTS MANUAL

APPLICABLE UNIT PART NUMBERS:
NPMNMRC5-CWC-02 & NPMNCRC5-CWC-02

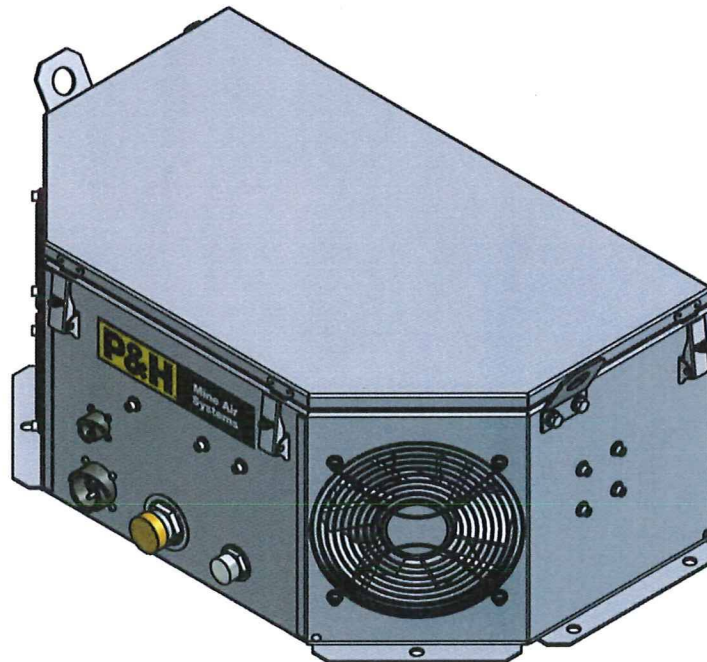


TABLE OF CONTENTS

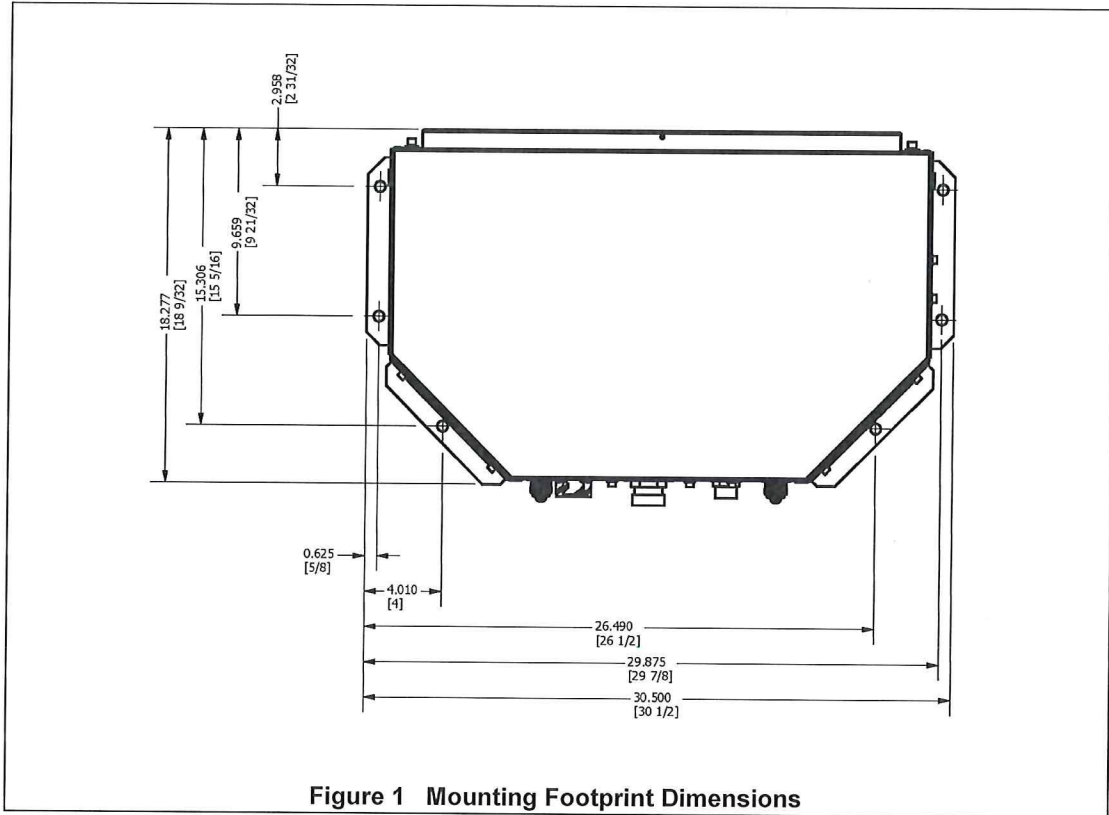
TABLE OF CONTENTS.....	2
TABLE OF FIGURES.....	3
1.0 Unit Installation	4
1.1 Mounting.....	4
1.2 Connections	5
2.0 Unit Assembly	6
2.1 Unit Assembly Drawing	6
2.2 Unit Parts List.....	8
3.0 Unit Schematic.....	10
4.0 Recommended Spare Parts List	12

TABLE OF FIGURES

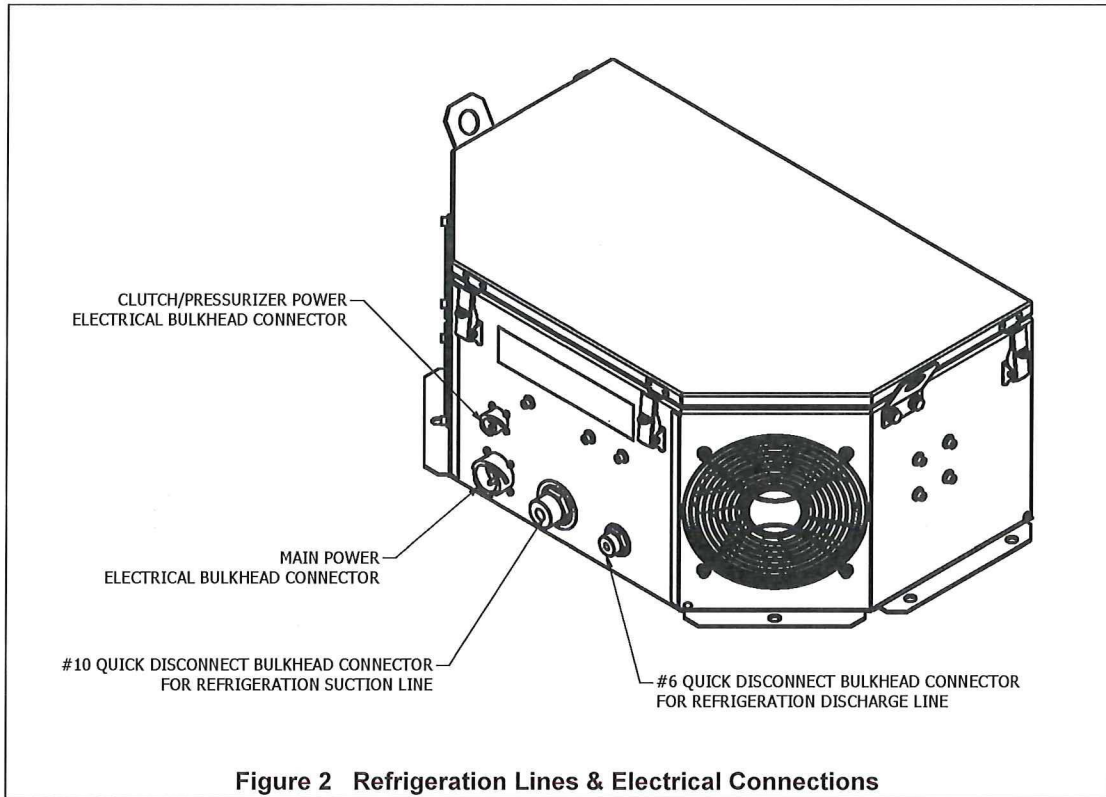
Figure 1	Mounting Footprint Dimensions	4
Figure 2	Refrigeration Lines & Electrical Connections	5
Figure 3	Unit Assembly	6
Figure 4	Controller Assembly.....	7

1.0 Unit Installation

1.1 Mounting



1.2 Connections



2.0 Unit Assembly

2.1 Unit Assembly Drawing

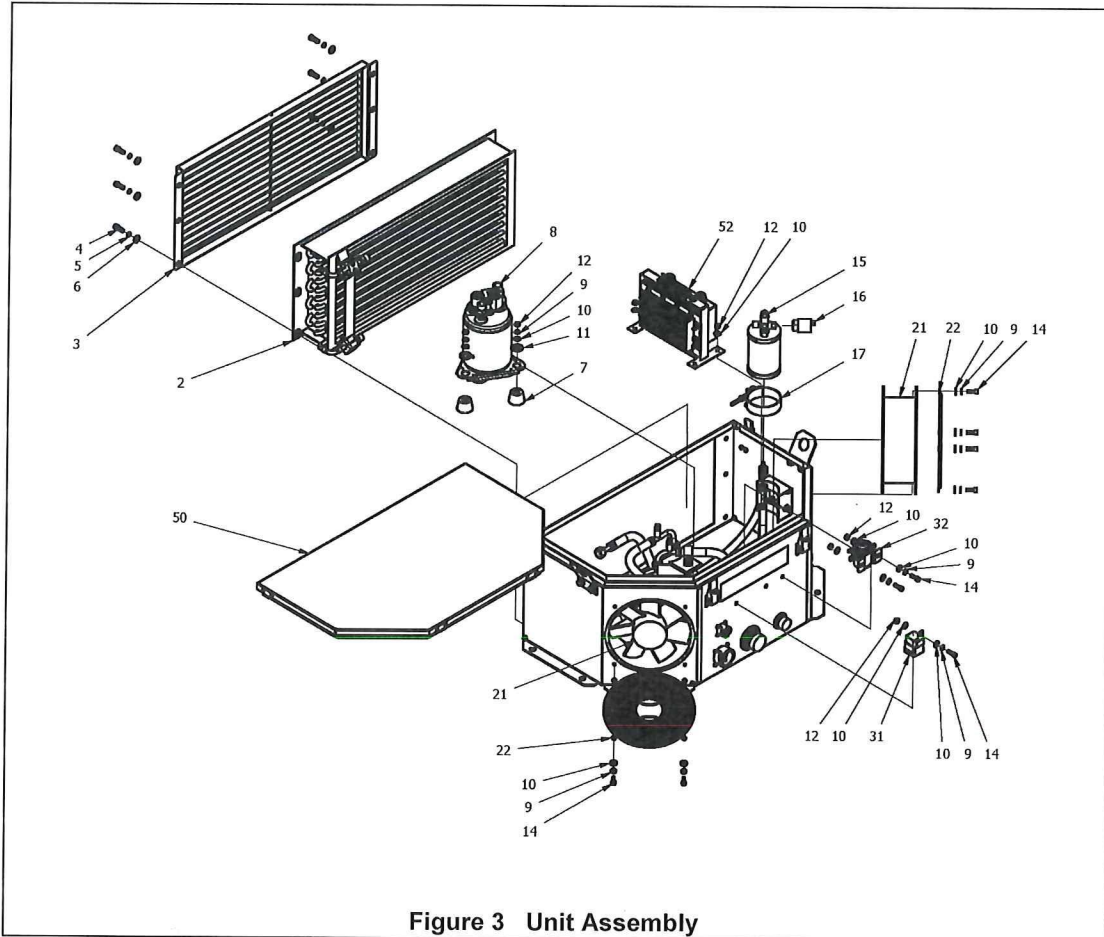


Figure 3 Unit Assembly

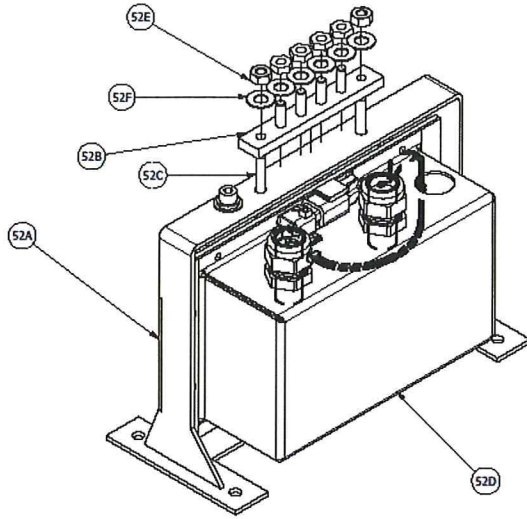


Figure 4 Controller Assembly

2.2 Unit Parts List

ITEM	PART NUMBER	DESCRIPTION
1	NPMNRC-05-000	REMOTE CONDENSER CASE WELDMENT
2	NPMNRC-05-005	COIL ASSEMBLY
3	NPMN71-01-007	CONDENSER LOUVRE PANEL
4	NPMN10-11-071	5/16-18 X 3/4" - SS, SHCS
5	NPMN10-11-003	5/16-18 LOCK WASHER - SS
6	NPMN10-11-002	5/16-18 FLAT WASHER - SS
7	NPMN40-20-025	MOUNTING PARTS FOR COMPRESSOR
8	NPMN65-01-003	24VDC COMPRESSOR ASSEMBLY (65-01-001)
9	NPMN10-10-003	1/4-20 LOCK WASHER - SS
10	NPMN10-10-002	1/4-20 FLAT WASHER - SS
11	NPMN10-14-002	1/2-13 FLAT WASHER - SS
12	NPMN10-10-001	1/4" UNC NYLOCK NUT SS
13	NPMN71-01-010	RECEIVER / DRYER BRACKET- LETOURNEAU UNIT
14	NPMN10-10-071	1/4-20 X 3/4" - SS, SHCS
15	MN60-08-003	RECEIVER / DRYER – 350 *(not on CRC5-CWC-02)
16	MN62-13-004	350 BIANARY PRESSURE SWITCH*(not on CRC5-CWC-02)
17	MN20-07-004	5.4' MAXIMUM OPENING LATCH CLAMP
18	NPMNMA-RE-510-2	LIFTING LUG - REMOTE APPLICATION
19	NPMN10-11-070	5/16-18 X 3/4" - SS, HXBT
20	NPMN10-11-001	5/16-18 NYLOCK NUT - SS
21	NPMN07-01-007	BLOWERS-AXIAL,200mm,24V DC,VGC24 200V
22	MNMA-04-021	8" FINGER GUARD
23	NPMN60-40-011	QUICK DISCONNECT BULKHEAD ASSEMBLY #6 MALE ORING
24	NPMN60-42-012	QUICK DISCONNECT BULKHEAD ASSEMBLY #10 MALE ORING
25	NPMN40-17-029	POWER HARNESS, MAIN POWER 361/380
26	NPMN52-01-019	BULKHEAD RECEPTICAL #16 SHELL 2x#12 WIRE PIN
27	NPMN10-02-050	8-32 X 1/2" - SS, MSCR, PN, PH
28	NPMN10-02-003	8-32 LOCK WASHER - SS
29	NPMN10-01-050	6-32 X 1/2" - SS, MSCR, PN, PH
30	NPMN10-01-002	6-32 FLAT WASHER - SS
31	MN2000Z123	RELAY 24VDC
32	NPMN40-01-000	SOLENOID - CONTINUOUS DUTY 24V, 85A
33	MN60-04-001	REFRIGERANT SUCTION LINE QC DUST CAP
34	MN60-04-002	REFRIGERANT DISCHARGE LINE QC DUST CAP

ITEM	PART NUMBER	DESCRIPTION
36	NPMN60-40-000	ADAPTER, #6, 90DEG, FEMALE O-RING X EZ CLIP HOSE
37	NPMN60-40-002	ADAPTER, #6, STRAIGHT FEMALE O-RING X EZ CLIP HOSE
38	NPMN60-40-003-IN	HOSE #6, EZ CLIP - BY THE INCH
39	NPMN60-40-003-IN	HOSE #6, EZ CLIP - BY THE INCH
40	NPMN60-41-000	ADAPTER, #8, STRAIGHT, FEMALE O-RING X EX CLIP HOSE
41	NPMN60-41-009	ADAPTER, #8, 90DEG, FEMALE O-RING C/W SHRADER VALVE X EZ CLIP HOSE
42	NPMN60-42-002	ADAPTER, #10, 90DEG, FEMALE O-RING X EZ CLIP HOSE
43	NPMN60-42-010	ADAPTER, #10, 90DEG, FEMALE O-RING C/W SHRADER VALVE X EZ CLIP HOSE
44	MN20-07-032	5/8" RUBBER CABLE CLAMP
45	NPMN03-03-001	COMPRESSOR TO HOSE BRACKET
46	NPMN20-07-019	0.94" RUBBER CABLE CLAMP
47	NPMN20-07-021	3" - 5" GEAR CLAMP
48	NPMN60-41-005-IN	HOSE #8, EZ CLIP - BY THE INCH
49	NPMN60-42-005-IN	HOSE #10, EZ CLIP - BY THE INCH
50	NPMNRC-05-007	REMOTE CONDENSER LID- WELDMENT
51	NPMN90-01-011	DECAL, 9-11/16" X 3-5/16"
52	NPMN53-04-000-KIT	RCC 24V/48V DC CONTROLLER ENCLOSURE KIT
52A	NPMN03-03-005	• CONTROLLER MOUNTING BRKT WELDMENT
52B	NPMN53-01-003	• 4 GANG TERMINAL BLOCK - SINGLE STUDS
52C	NPMN10-10-050	• 1/4-20 X 1/2" - SS, HXBT
52D	NPMN53-04-000	• RCC 24V/48V DC CONTROLLER ENCLOSURE ASSEMBLY
52E	NPMN10-02-001	• 8-32 NYLOCK NUT - SS
52F	NPMN10-02-002	• 8-32 FLAT WASHER - SS
53	MN20-07-014	1/2" RUBBER CABLE CLAMP



3.0 Unit Schematic

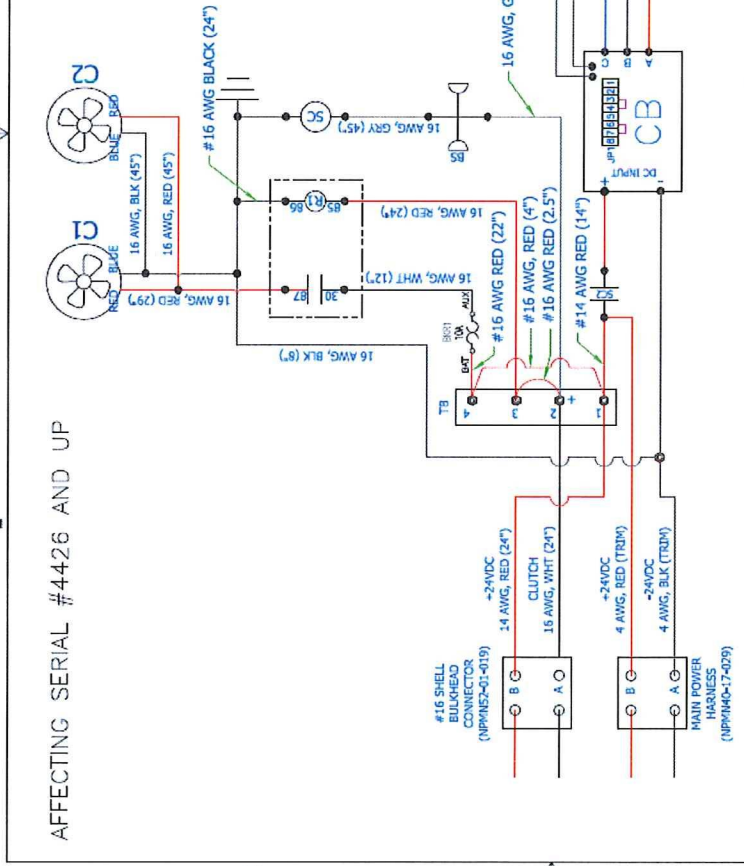
1

BOM

ITEM LABEL	QTY.	PART NO.	DESCRIPTION
1	BS	1	1MS2-13-004 BINARY SWITCH-350
2	CL, C2	2	NPMND-01-007 CONDENSER BLOWERS-AXIAL 24V DC
3	CB	1	RCC, 24/48V CONTROLLER ENCLOSURE ASSEMBLY
4	COMP	1	NPMMS-01-003 24V DC COMPRESSOR- PURPLE
5	RL	RL	PR2002L23 RELAY, 24V DC
6	SC, SC2	1	NPMND-01-000 SOLENOID-CONTINUOUS DUTY 24V, BSA
7	TB	1	NPMNS-01-003 4 GANG TERMINAL BLOCK-SINGLE STUDS
8	N/A	30"	100M7528 14 AWG, TEW, RED
9	N/A	58"	100M7524 16 AWG, TEW, WHITE
10	N/A	108"	100M7516 16 AWG, TEW, RED
11	N/A	116"	100M7521 16 AWG, TEW, BLACK
12	N/A	98"	100M7520 16 AWG, TEW, GRAY
13	BRRL	1	10A AUTO RESET BREAKER

LED FAULT INDICATOR OUTPUT

- 1 FLASH - OVER CURRENT
- 2 FLASHES - OVER VOLTAGE
- 3 FLASHES - UNDER VOLTAGE
- 4 FLASHES - CONTROLLER OVERHEAT
- 5 FLASHES - MOTOR OVERHEAT
- 6 FLASHES - STALLED
- 7 FLASHES - LOW SPEED
- 8 FLASHES - STARTUP FAILED



2

REV	DESCRIPTION	DATE	BY
1.0	INITIAL REVISION	06/15/2011	SP
1.1	ADD NOTES FOR LED FAULT INDICATOR OUTPUT AND UP	1/30/2013	RH
1.2	ADD 10A AUTO RESET BREAKER AND CHANGED CONDENSER FAN RELAY WIRE CONNECTION AFFECTING SERIAL # 4246	5/6/2013	RH
1.3	ADDED LENGTH OF THE WIRE AND NOTE TO CIRCUIT BREAK AS PER SHOP MARK UP SEE ECR#273	5/24/2013	RH
1.4	MOVED #16 BLACK WIRE TO MAIN GROUND AND UPDATE TERMINAL BLOCK AS PER ECR#332	2/6/2014	RH
1.5	UNIT #4426 AND UP NOW HAS OVERHOLEDBLDCOMPRESSOR PLUG	4/22/2014	JL

UNLESS OTHERWISE SPECIFIED
 DIMENSION TOLERANCE: ±.005
 EXCEPTIONS AS FOLLOWS:
 ANGLE = ± 0° 30'
 BREAK EDGES = 1/32
 SURFACE = 125 RMS

2

A

TITLE
 REMOTE CONDENSER W/ 24V COMPRESSOR
 & CTRL ENCLOSURE WIRING DIAGRAM

SHEET
 1 OF 1

PRODUCT
 NPMNRC5-CWC-02 / NPMNRC5-CWC-02

DRAWING NO.
 E-MRC5-CWC-02

WEIGHT
 N/A

SIZE
 A

REV.
 1.5

4.0 Recommended Spare Parts List

PART NUMBER	QTY/UNIT	DESCRIPTION
NPMN71-01-007	1	CONDENSER LOUVRE PANEL
NPMN40-20-025	1	MOUNTING PARTS FOR COMPRESSOR
NPMN65-01-003	1	24VDC COMPRESSOR ASSEMBLY (65-01-001)
MN60-08-003	1	RECEIVER / DRYER – 350*(not on CRC5-CWC-02)
MN62-13-004	1	350 BIANARY PRESSURE SWITCH*(not on CRC5-CWC-02)
MN20-07-004	1	5.4' MAXIMUM OPENING LATCH CLAMP
NPMN07-01-007	1	BLOWERS-AXIAL,200mm,24V DC,VGC24 200V
MNMA-04-021	1	8" FINGER GUARD
MN2000Z123	1	RELAY 24VDC
NPMN40-01-000	1	SOLENOID - CONTINUOUS DUTY 24V, 85A